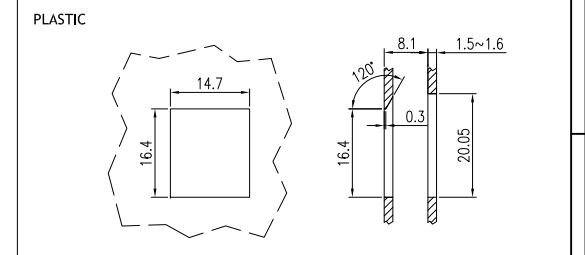
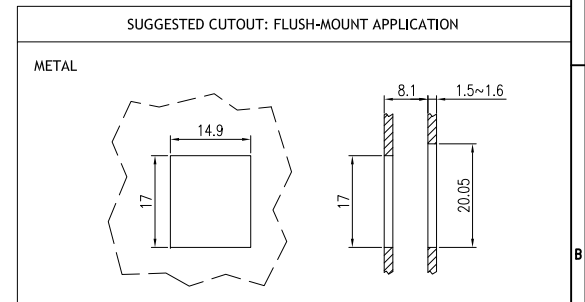
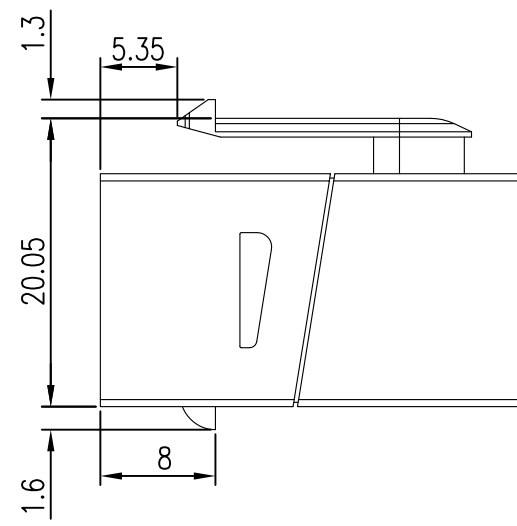
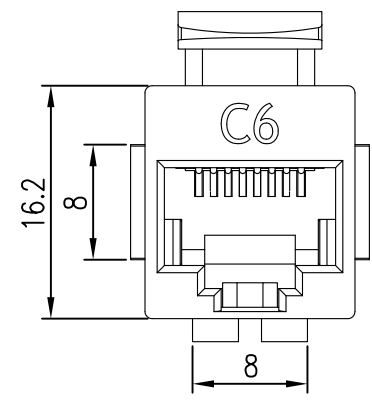
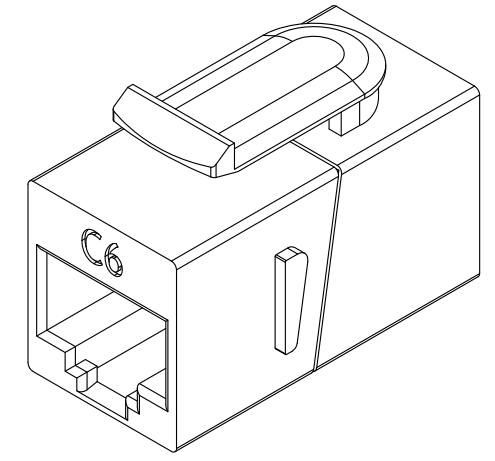
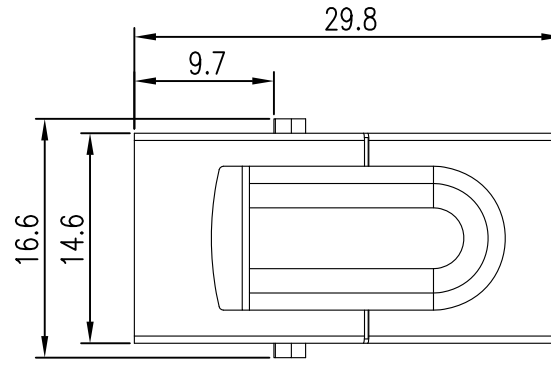


P / N	COLOR
HCIFP-61	WHITE
HCIFP-61BK	BLACK

**MATERIAL**  
 Housing: High-impact Polycarbonate (PC resin), UL 94 V-0 rated  
 Jack Contacts: 5100W spring temper phosphor bronze round wire,  $\varnothing=0.45$  mm (0.018 in), plated with 1.27  $\mu\text{m}$  (50  $\mu\text{in}$ ) thick hard gold over 2.54  $\mu\text{m}$  (100  $\mu\text{in}$ ) thick nickel underplate  
 RoHS compliant

DRAWN BY				
APPROVED BY				
DIMENSIONS ARE MM [IN]				
TOLERANCES:				
~20	~50	~150	150~	ANGLE
$\pm 0.2$	$\pm 0.4$	$\pm 0.5$	$\pm 1.5$	2'
3rd Angle Projection				

<b>ConnectorCo</b>			
TITLE			
ADAPTERS & COUPLERS			
DWG. NO.			REV.
HCIFP-61 & HCIFP-61BK			1
CUSTOMER PARTS NO.			
DATE	SCALE	SHEET	1/1
2012.02.01	X		



P / N	COLOR
HCIFP-66	WHITE
HCIFP-66BK	BLACK

**MATERIAL**  
 Housing: High-impact Polycarbonate (PC resin), UL 94 V-0 rated  
 Jack Contacts: 5100W spring temper phosphor bronze round wire,  $\varnothing=0.45$  mm (0.018 in), plated with 1.27  $\mu$ m (50  $\mu$ in) thick hard gold over 2.54  $\mu$ m (100  $\mu$ in) thick nickel underplate  
 RoHS compliant

DRAWN BY				
APPROVED BY				
DIMENSIONS ARE MM [IN]				
TOLERANCES:				
~20	~50	~150	150~	ANGLE
$\pm 0.2$	$\pm 0.4$	$\pm 0.5$	$\pm 1.5$	2'
3rd Angle Projection				

<b>ConnectorCo</b>			
TITLE			
ADAPTERS & COUPLERS			
DWG. NO.			REV.
HCIFP-66 & HCIFP-66BK			1
CUSTOMER PARTS NO.			
DATE	SCALE	SHEET	1/1
2012.02.01	X		