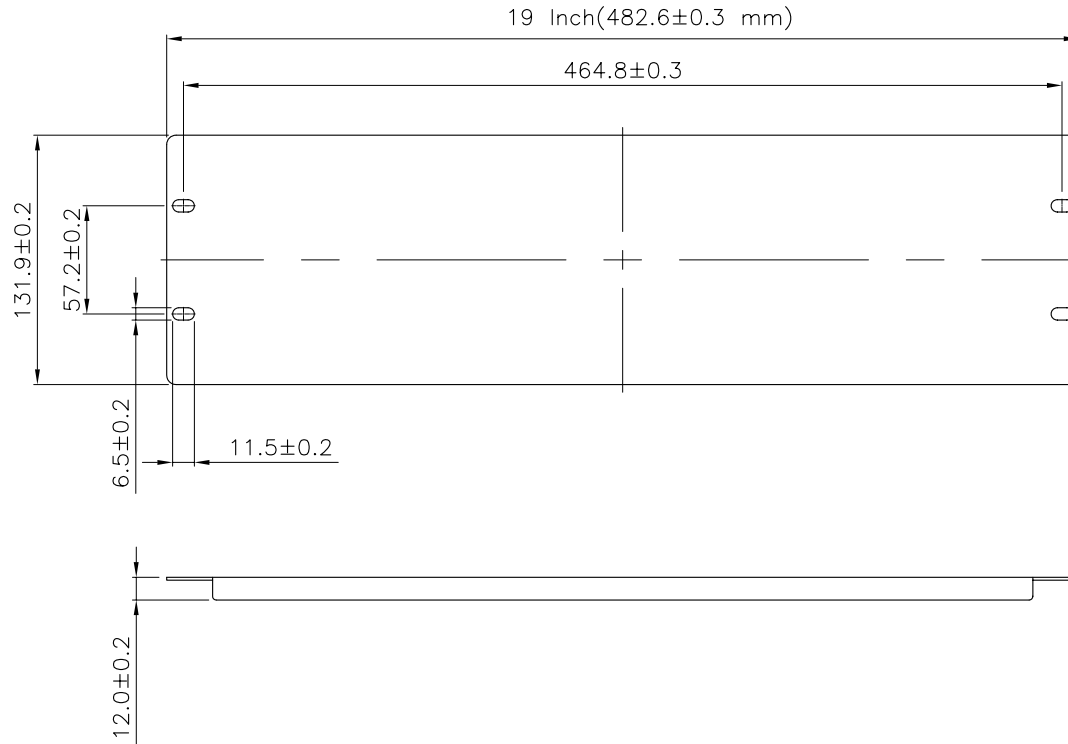


SCALE 1/5



Specification :

Material :
 1. Panel : SPCC, 1.5 mm thickness with Black color painted.

	DSGN	Wei	18.JUN.2009	ITEM NO: JE314/3
	CHK	kli	18.JUN.2009	
UNIT	M/M	APPR	Yty	3 unit Blank Panel,BK
SCALE	1/4	Velocity		
DWG NO:	JE314/3			