

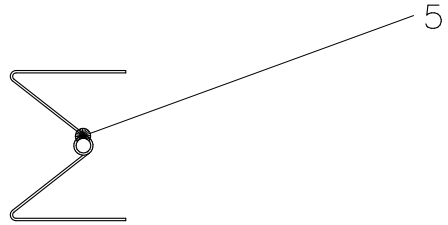
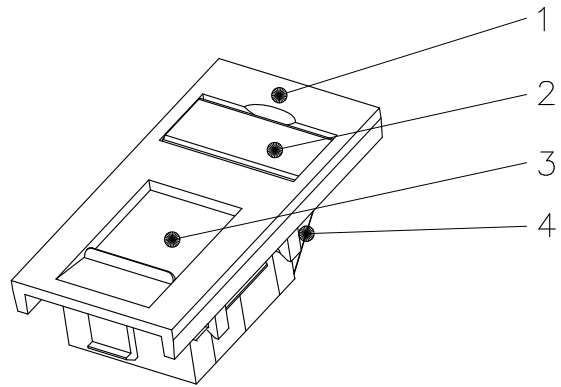
1 2 3 4 5 6

A

B

C

D

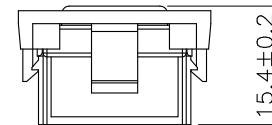
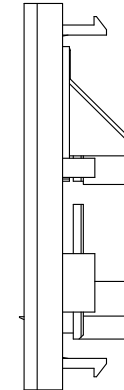
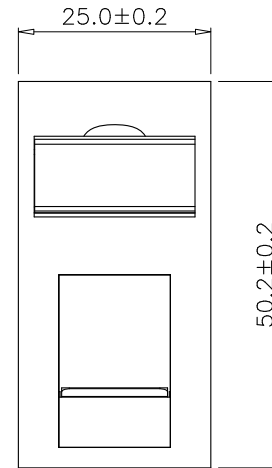


SCALE 1/1

Specification :

Material :

1. Plate : ABS, UL 94-HB, with white color.
2. Identification :
 - 2-1. I.D. Plate : PVC, Transparent color.
 - 2-2. Paper.
3. Dust Cover : ABS, UL 94-HB.
4. Back Insert : ABS, UL 94-HB.
5. Spring : Stainless steel.



1 2 3 4 5 6

GENERAL TOLERANCE OF DIMENSIONS X.XXX ±0.005 X.XX ±0.05 X.X ±0.1	DRAWING	03.NOV.2010	QIQI	<h1>Maxxam</h1>	
	CHECK	03.NOV.2010	JANE		
	APPROVAL	03.NOV.2010	JAIMY		
	DATE		NAME	ITEM NO.: 72-3754	
SCALE	1/1 (A4)	UNIT	mm	DES.: SINGLE PORT WITH SHUTTER	
		DRAWING NO. AAI0C0101100004 JE340/W1(SA3)			
		DRAWING CLASSIFICATION		S	

A

B

C

D

10cm