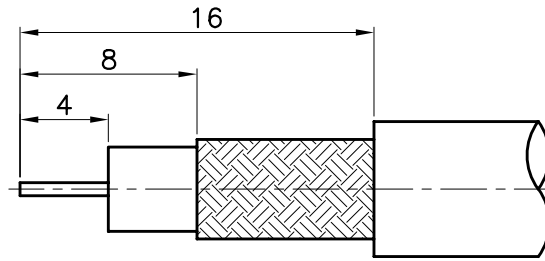
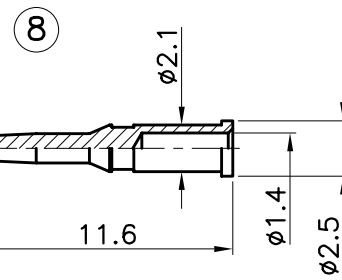
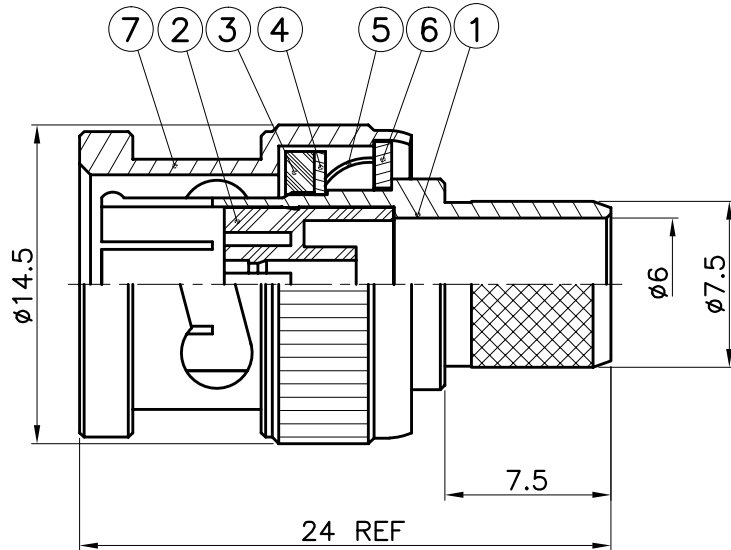


REVISIONS	
ISS	DESCRIPTION \ DATE

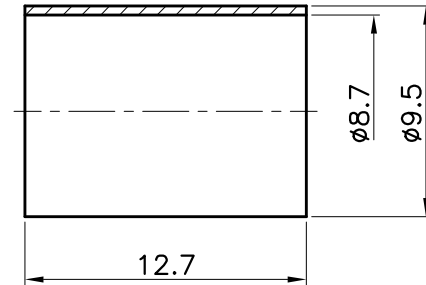


RoHS COMPLIANT

RECOMMENDED
CABLE STRIPPING DIM'S



9



1. CRIMPED FERRULE
HEX CRIMP SIZE .324"
2. CRIMPED CONTACT PIN
HEX CRIMP SIZE .068"

TITLE: BNC MALE CRIMP(75 ohm) (FOR CT125)	APRD:	UNLESS OTHERWISE SPECIFIED TOLERANCES 0.5-6 = ±0.2 >6-30 = ±0.4 >30-120 = ±0.6 >120-315 = ±1 >315-1000 = ±1.6 ANGLES = ±5°	9	FERRULE	BRASS	NICKEL
	CHKD:		8	CONTACT PIN	BRASS	GOLD
	DR:		7	SHELL	BRASS	NICKEL
PART NO: BNC1-125	DATE: 12/12/07"	UNIT: mm	6	WASHER	STEEL	NICKEL
DRAWING NO: 50312-050(B002B125-96)	SHEET: .	SCALE: 3/1	5	SPRING	SK-5	NICKEL
ISO 9001 certificate			4	C WASHER	STEEL	NICKEL
			3	GASKET	PVC	RED
			2	INSULATOR	DELIRIN	WHITE
			1	BODY	BRASS	NICKEL
			NO.	DESCRIPTION	MATERIAL	FINISH