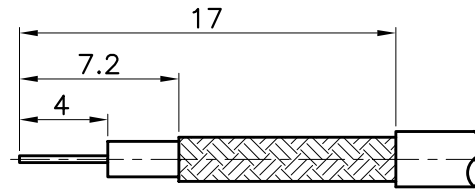
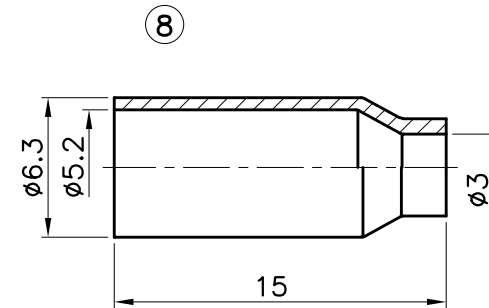
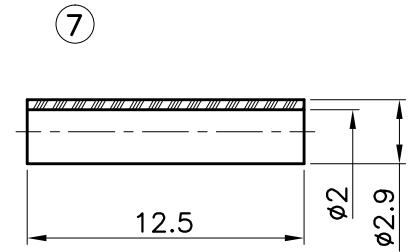
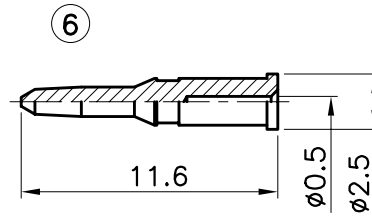
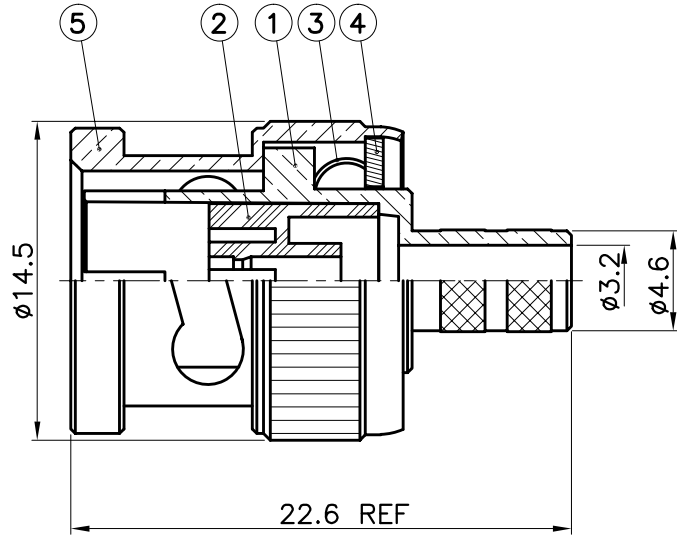


REVISIONS	
ISS	DESCRIPTION\DATE

RoHS COMPLIANT



RECOMMENDED
CABLE STRIPPING DIM'S



1. CRIMPED FERRULE
HEX CRIMP SIZE .213"
2. CRIMPED CONTACT PIN
HEX CRIMP SIZE .068"

APRD:	UNLESS OTHERWISE SPECIFIED TOLERANCES 0.5-6 = ±0.2 >6-30 = ±0.4 >30-120 = ±0.6 >120-315 = ±1 >315-1000 = ±1.6 ANGLES = ±5°	8	FERRULE	BRASS	NICKEL	KA/2005/10527\ KA/2005/60362	
CHKD:		7	SPACER	DELTRIN	WHITE	KA/2005/10531	
DR:		6	CONTACT PIN	BRASS	GOLD	KA/2005/10527\ KA/2005/30993	
TITLE: BNC MALE CRIMP (75 ohms) (FOR RG179/U)	DATE: 11/30/10"	UNIT: mm	5	SHELL	ZINC ALLOY	NICKEL	KA/2005/10528\ KA/2005/60362
PART NO: BNC1-179D	SHEET: .	SCALE: 3/1	4	WASHER	STEEL	NICKEL	KA/2005/10523\ KA/2005/60362
DR NO:50013-616(B002D179-96-75)			3	SPRING	SK-5	NICKEL	KA/2005/10524\ KA/2005/60362
			2	INSULATOR	DELTRIN	WHITE	KA/2005/10531
			1	BODY	ZINC ALLOY	NICKEL	KA/2005/10528\ KA/2005/60362
			NO.	DESCRIPTION	MATERIAL	FINISH	SGS REPORT NO