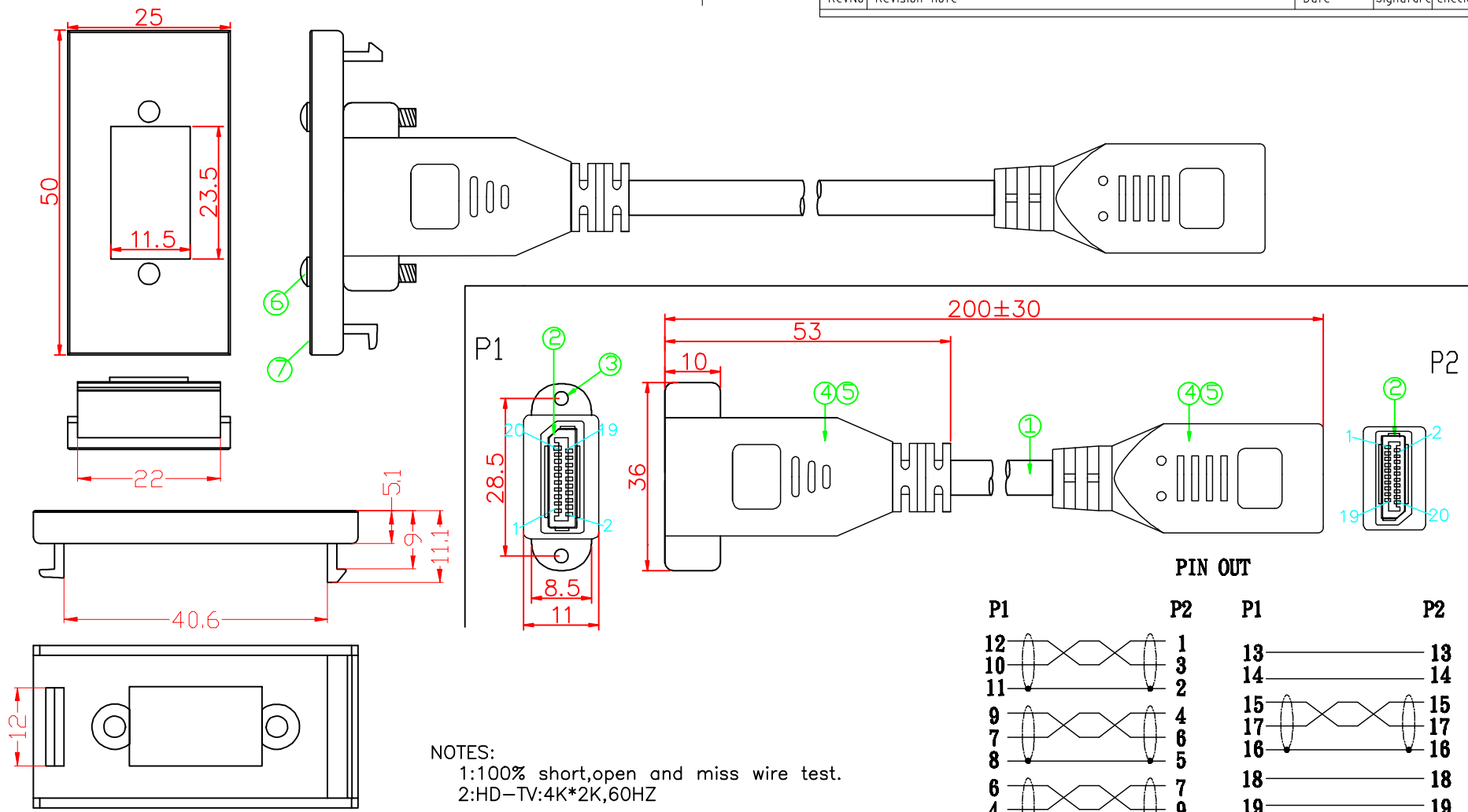
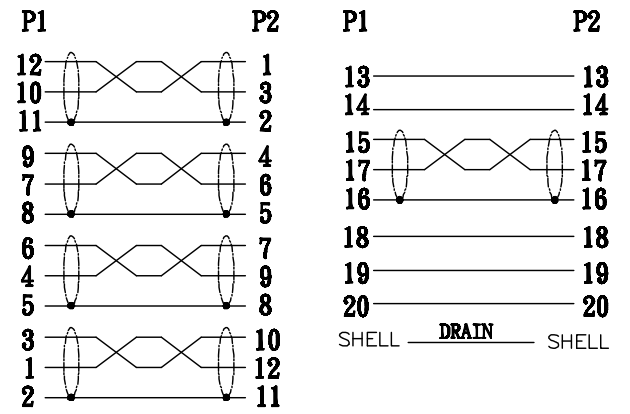


RevNo	Revision note	Date	Signature	Checked
-------	---------------	------	-----------	---------



PIN OUT



NOTES:
 1:100% short,open and miss wire test.
 2:HD-TV:4K*2K,60HZ

NO.	MATERIAL	DESCRIPTION	QTY.	UNIT
⑦	PANEL	ABS PANEL FOR USB AF,50*25mm,Color:RAL9003	1	PCS
⑥	SCREW	THUMB SCREW #4-40*15	2	PCS
④	OUTER MOULDED	BLACK 45P PVC	0.025	KG
③	INNER MOULDED	LDPE	0.012	KG
⑤	NUT	NUT-NICKEL PLATED #4-40	2	PCS
②	CONNECTOR	DP/F(BLACK COVER),BLACK INSULATOR,GOLD PLATED PIN,NICKEL PLATED SHELL.	2	PCS
①	CABLE	28AWG:(1P*7/0.12TC+D+FAM)*5C+7/0.12TC*5C+ADB,JACKET:BLACK PVC,OD:7.3±0.2MM	200	MM

Ltemref	Quantity	Title/Name,designation,material,dimension etc			Article No./Reference	
Designed by ACHY	Checked by HELEN	Approved by - date Apr.28.2017	File name DP face Plate	Date Apr.28.2017	Scale FREE	
ANGLE:		DP face plate 50*25MM,WITH 0.2M CABLE				
UNIT:MM		HCIFP-82		Edition 1	Sheet 1/1	